





FEATURES

| | |
|---|---|
| Relative Clamping Force* |  |
| Relative Retention Force* |  |
| Relative Thermal Resistance* |  |
| Relative Price |  |
| *For mechanical and thermal performance data see the Technical Applications section pages 77-94 | |

WEDGES

Material:
Aluminum Alloy
6061-T6 QQ-A-200/8

Finish:
See finish table on opposite page

SCREW

.09 in or 2.5 mm hex. socket head cap screw, depending on mounting configuration

Material:

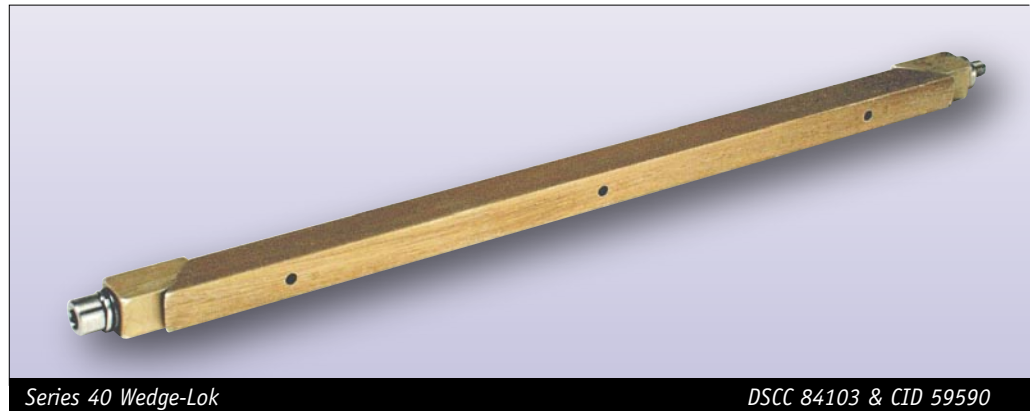
Stainless Steel
QQ-S-763, ASTM A 582

Finish:

Passivate per MIL-S-5002

WEIGHT

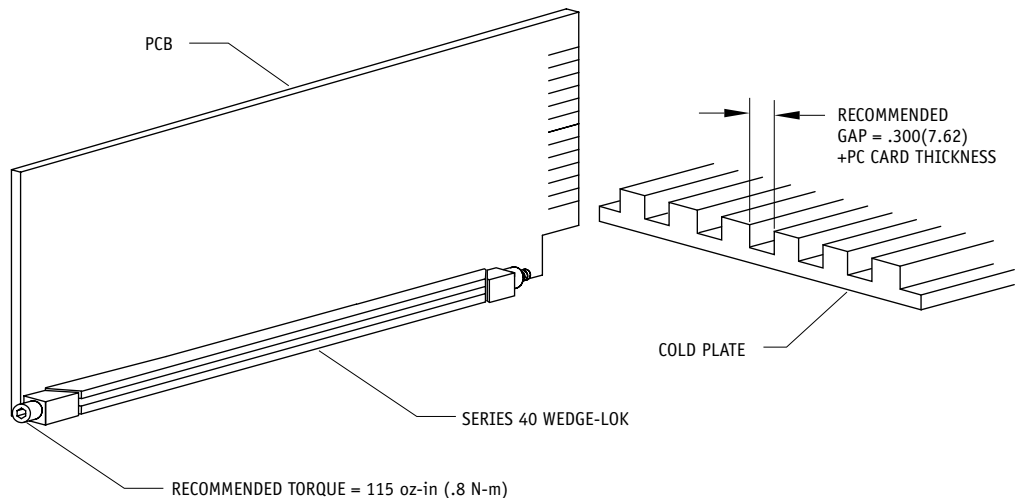
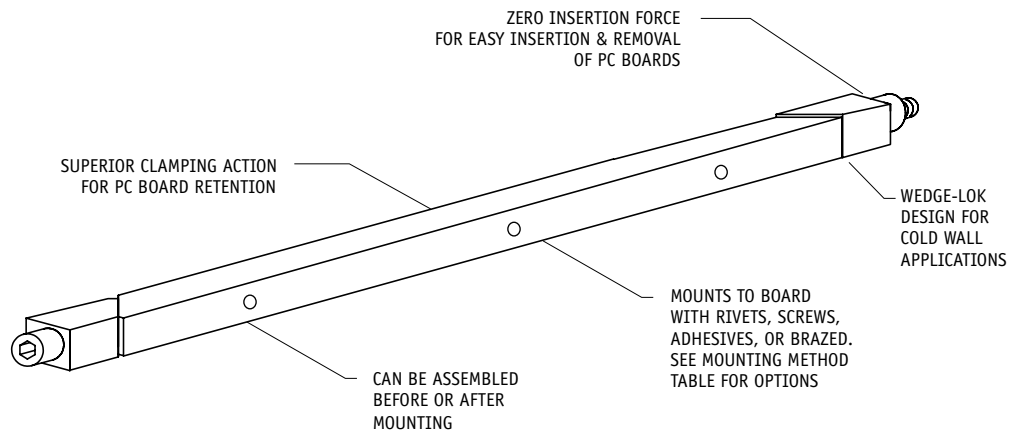
.096 oz/in
(1.07 gm/cm)

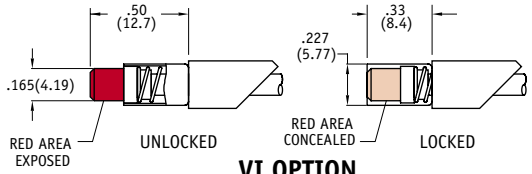


Series 40 Wedge-Lok

DSCC 84103 & CID 59590

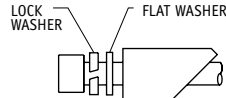
**DESIGNED FOR HEAVY SHOCK,
VIBRATION & HEAT DISSIPATION**
.225(5.72) X .260(6.60) PROFILE





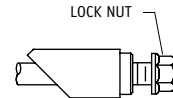
VI OPTION

Indicates assembly is unlocked
(adds .19 (4.8) to screw length)



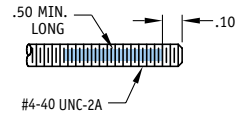
LF OPTION

Provides additional resistance to shock and vibration (adds .06 (1.5) to screw length)



LN OPTION

Captivates rear wedge when untorqued (adds .10 (2.5) to screw length)

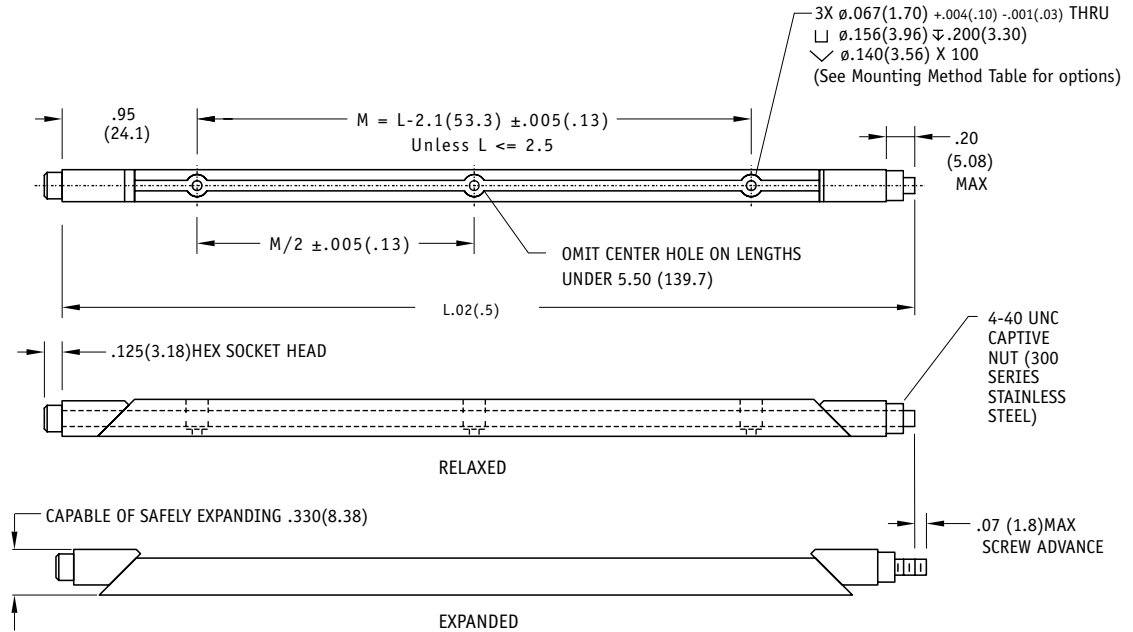
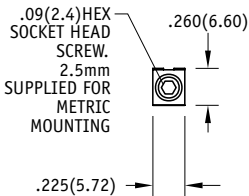


L OPTION

Provides additional resistance to shock and vibration

NOTE ON DIMENSIONS:
ENGLISH LISTED FIRST
FOLLOWED BY METRIC
IN PARENTHESES

TOLERANCES:
UNLESS OTHERWISE SPECIFIED
.XXX(.XX) = .01(.25)
.XX (.X) = .02(.5)



Part Number Code (See example at right)

Series 40 Wedge-Lok Three-piece 40 x -x -x -x -x -x -x

Optional Visual Indicator

Visual Indicator VI
None [Blank]

Length

In 1/2" increments -4 (2") and up
In 12.7mm increments -4 (50.8mm) and up

Finish

Chem Film [Blank]
or select code letter from Finish Table 1

Washers and Nuts

Lock Washer and Flat Washer LF
None [Blank]

Lock Nut LN
None [Blank]

Mounting

Standard Rivet Holes [Blank]
or select code letter from Mounting Method Table 2

Lock Patch

Lock Patch L
None [Blank]

Part Number Code example: 40VI-12-LF

Series 40 Wedge-Lok Three-piece, 6.0 in (152.4 mm) long, with Visual Indicator option, Chem Film finish, standard rivet hole mounting, and Lock and Flat Washer option.

1 FINISH TABLE

| Code Letter | Finish (see pg.9 for RoHS Compliance) |
|-------------|--|
| NONE | Chemical Film per MIL-C-5541, Class 1A, Gold, non RoHS compliant |
| CC | Chemical Film per MIL-C-5541, Class 1A, Clear |
| EN | Electroless Nickel per MIL-C-26074, Class 4, Grade B, Bright |
| N | Nickel Plate per QQ-N-290, Class 1, Grade G, Bright (.0002") |
| B | Black Anodize per MIL-A-8625, Type II, Class 2, (.00005" - .0003") |
| B3 | Hard Black Anodize per MIL-A-8625, Type III, Class 2 (.002") |
| B3D | Hard Black Anodize with Dry Film Lube per MIL-L46010 |

2 MOUNTING METHOD TABLE

| Code Letter | Method |
|-------------|--|
| NONE | Rivet Mount (Ø.067 (1.70)) holes with counterbore and countersink) |
| S | Screw #2-56 UNC-2B |
| T | Screw #0-80 UNF-2B |
| M2 | Screw M2 x .40 metric |
| M | Screw M2.5 x .45 metric |
| P | Indexing Pins Ø.062 x .040" (two pins only) |

Indexing pins (-P) and rivet (NONE) parts are shipped unassembled. Center wedge is unplated and unmarked for Indexing pins (-P) method.

**FOR MECHANICAL AND THERMAL PERFORMANCE
SEE THE TECHNICAL APPLICATIONS SECTION PAGES 77-94**